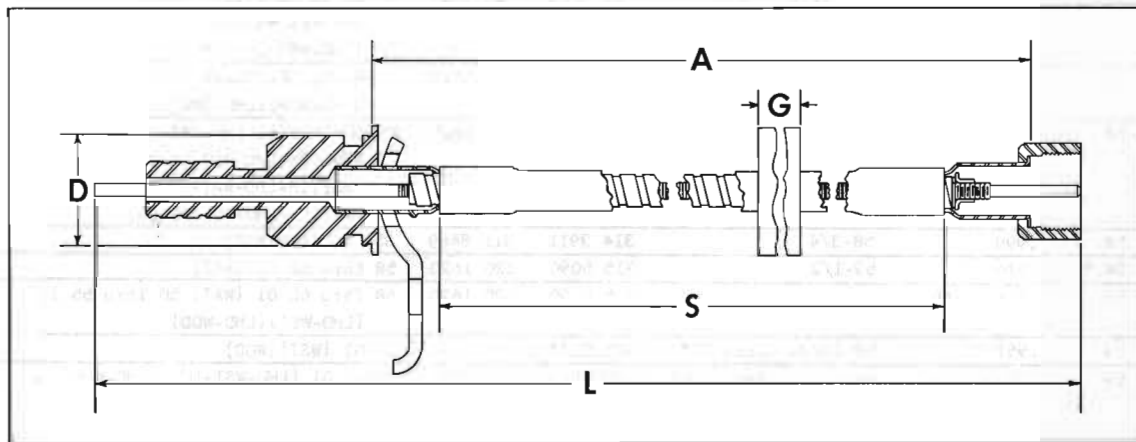
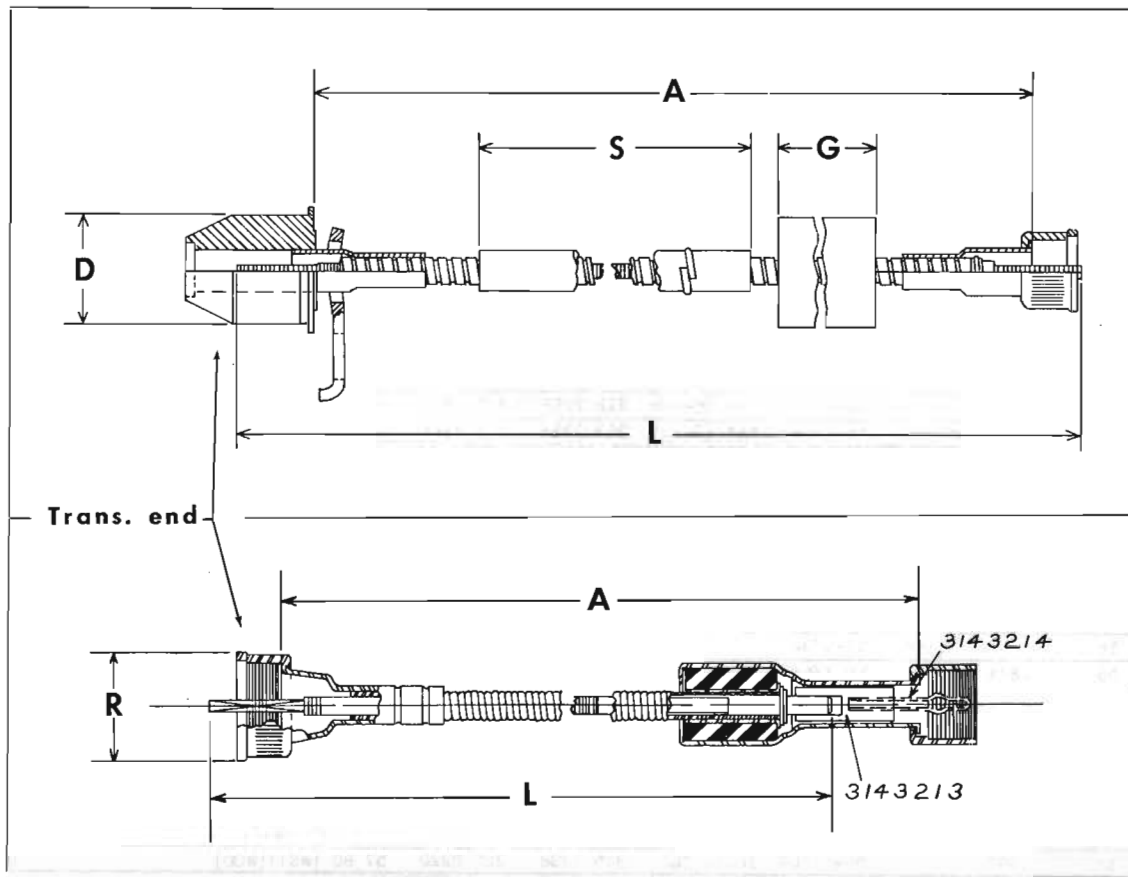


SPEEDOMETER CABLES

GROUP 3



A	D	R	L	MISC.	CABLE NO.	CORE NO.	MODEL APPLICATION
48	.874		50-11/16		317 1710	320 1620	64-65 01 (LHD-WST)
50.5	.997		51-9/16		313 1695	311 4659	51 Thru 55 10 (RHD-WST)